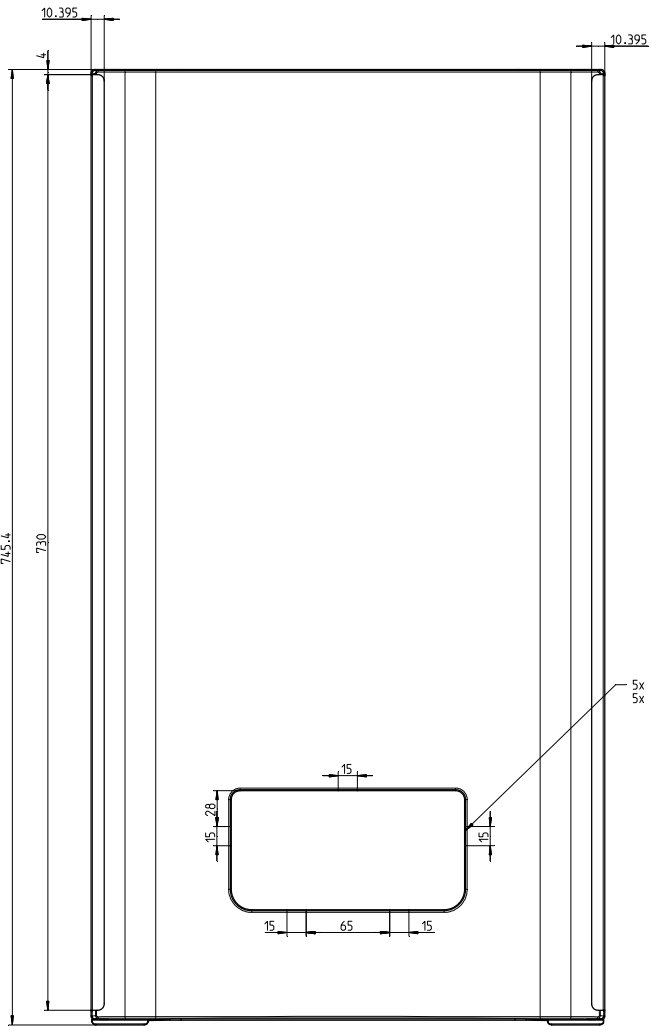
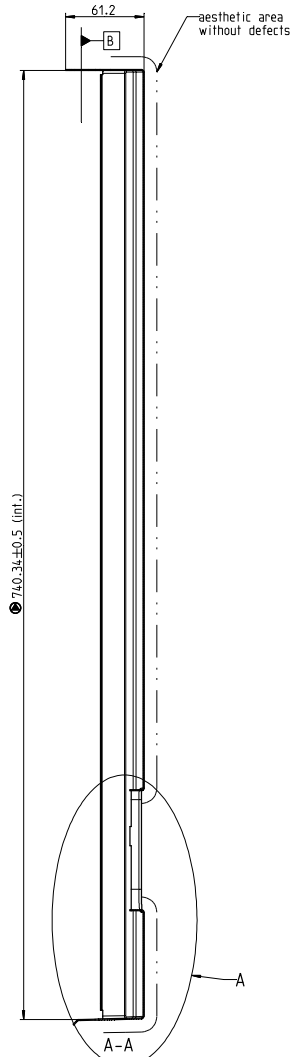
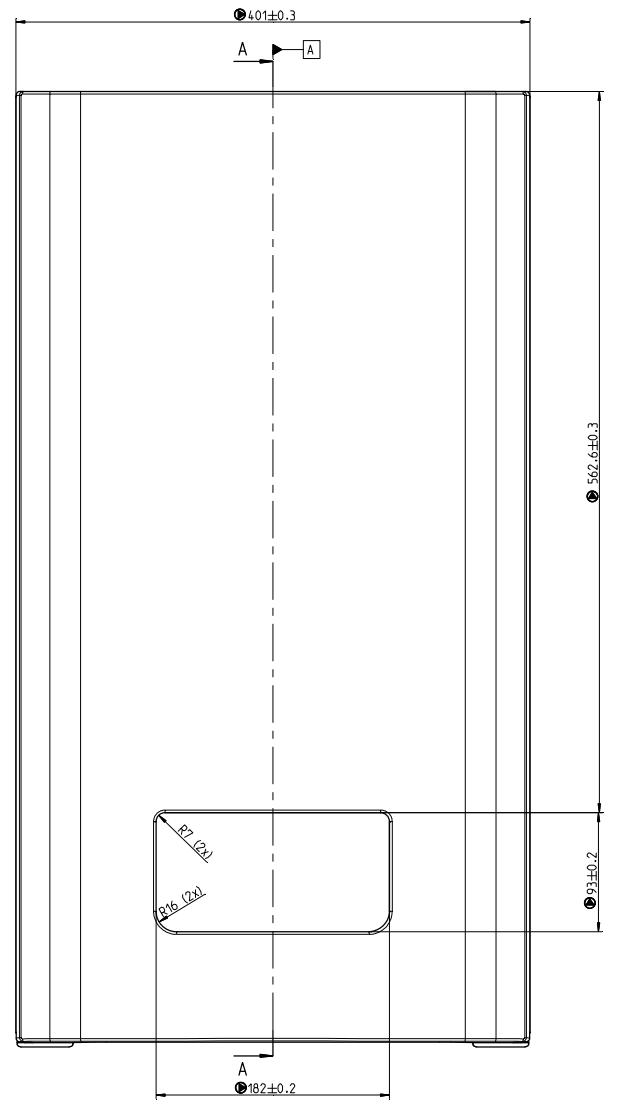
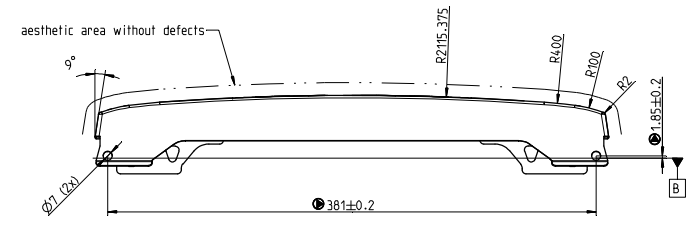
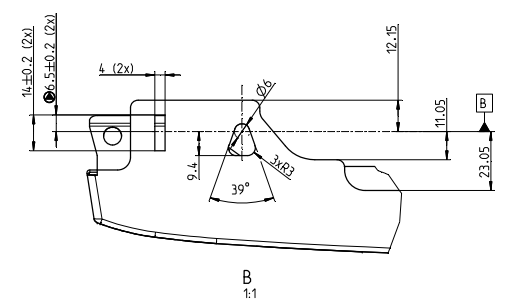
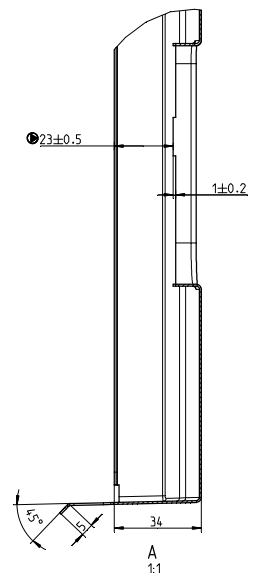
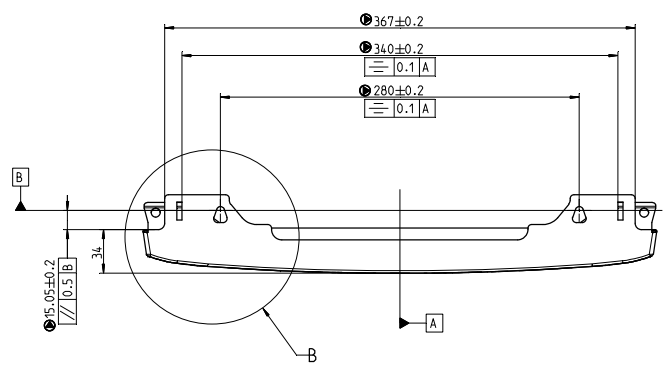


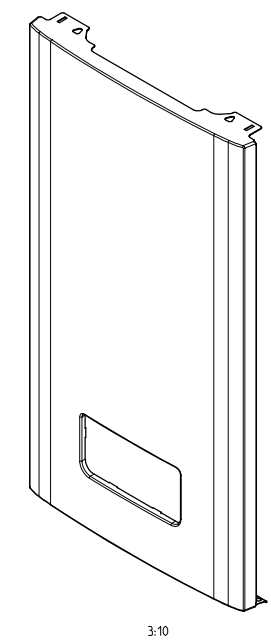
No	Date	Description of modification	Date	Modified by	Checked by	Approved by	Rev.
1	NS	2 files suppressed 2.0 not released in SAP	22/12/09	Egl	160	160	3.0
-	-	-	-	-	-	-	-
-	-	-	-	-	-	-	-



5x ledge (dimensioned on detail A)
5x výstupok (zakotavený na detaile A)



Part_No	DRAW_TITLE_E	DRAW_TITLE_L	SURF_TREATMENT	SURFACE_DM_2
0020085229	Casing front, PT shape, white	Kryt predny, tvar PT, biely	painted, white, ST	0020084715
0020087592	Casing front, PT shape, raw	Kryt predny, tvar PT, nelak.	-	70.4



EN: the part is referenced by:
- symmetric plane A
- plane B
FR: La piece est referencee par:
- le plan de symetrie A
- le plan B
SK: Diel je zadefinovany k:
- rovne symetrie A
- rovne B

BON POUR CONSULTATION ET REALISATION DE PROTOTYPE / Consultation Release and Prototype Realization

NOTA:
LE PLAN EST CONTRACTUEL, LES FORMES NON COTEES SONT A PRENDRE AU NOMINAL DU FICHER CAO.
Marginal note:
/ The drawing is contractual, dimension shapes non marked on the drawing must be taken on CAD's file nominal values.
SK: Vykres je konstrukcny, nezakotovane rozmery zobrat z CAD modelu v nominalnych hodnotach.

NOTES COMPLEMENTAIRES POUR PIECES DE TOLERIE
Additional notes for sheet metal parts
SAVARES / Barbs : CLASSE B NORME NFE 8180
RAYON INTERIEUR DE PLIAGE / Internal bending radius : 12 mm
POIDS / Weight : 2,203 Kg VOLUME: 2006687 mm3

NOTA : ● : Cote fonctionnelle / Functional dimension

This drawing is only valid with following specification:		Specification no.: 0020084715	
Title: Vaillant group white	Material: TOLE DC04 1= 0.8mm	Part product: 0020085229	Drawn: 3.0
Material no.: TOLE DC04 1= 0.8mm		Part treatment: see table	Drawn by: 160
Notes/Color: see table		Production	3.0
Drawing title: Casing front		Production	3.0
Drawing no.: 0020085229		Production	3.0
Drawing date: 22/06/09		Production	3.0
Drawing by: 160		Production	3.0
Drawing checked by: 160		Production	3.0
Drawing approved by: 160		Production	3.0
Drawing scale: 1:1		Production	3.0
Drawing sheet: 1/1		Production	3.0
Drawing format: A0		Production	3.0
Drawing orientation: 0		Production	3.0
Drawing status: 0		Production	3.0
Drawing type: 0		Production	3.0
Drawing version: 0		Production	3.0
Drawing date: 22/06/09		Production	3.0
Drawing by: 160		Production	3.0
Drawing checked by: 160		Production	3.0
Drawing approved by: 160		Production	3.0
Drawing scale: 1:1		Production	3.0
Drawing sheet: 1/1		Production	3.0
Drawing format: A0		Production	3.0
Drawing orientation: 0		Production	3.0
Drawing status: 0		Production	3.0
Drawing type: 0		Production	3.0
Drawing version: 0		Production	3.0